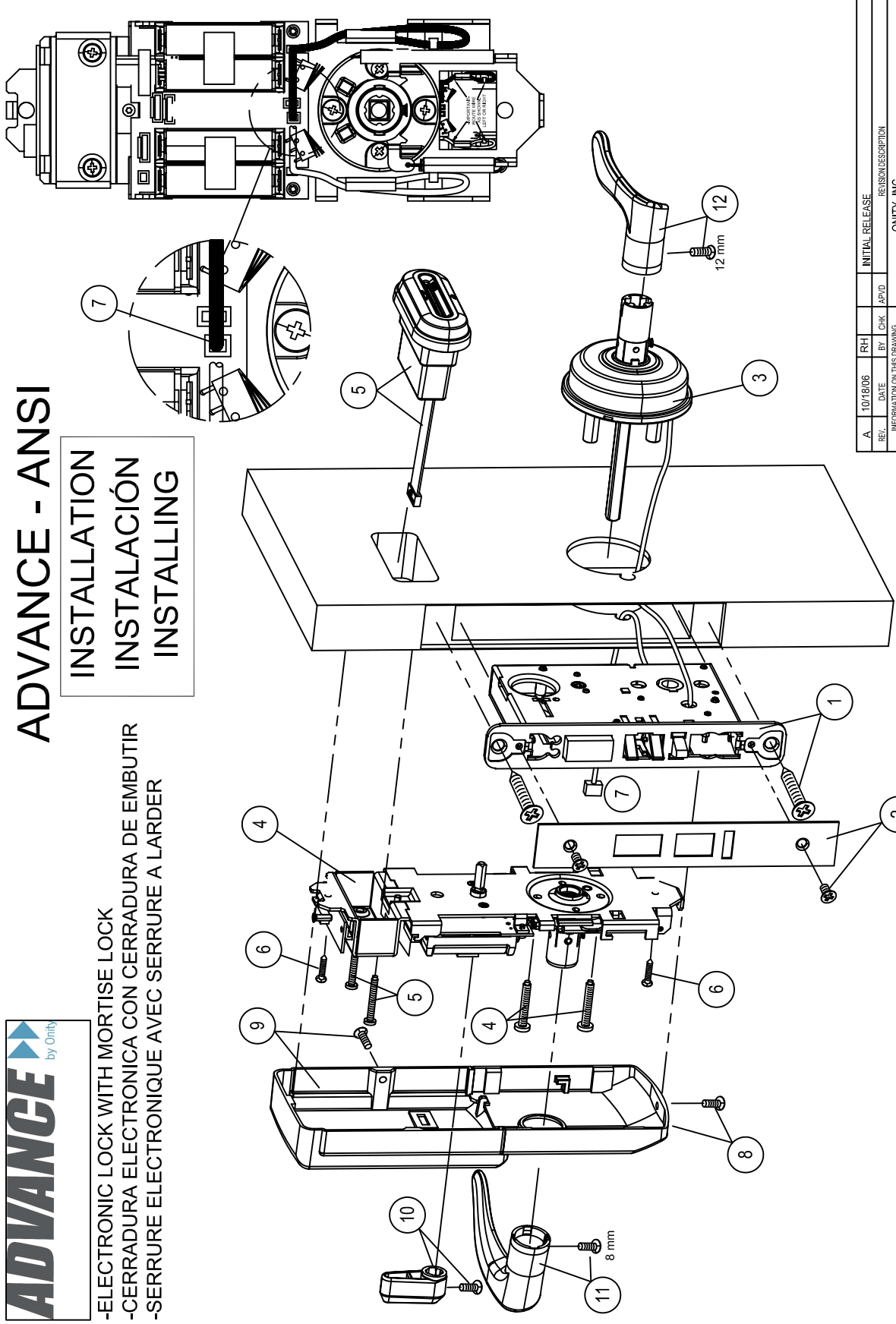




ADVANCE - ANSI

INSTALLATION
INSTALACIÓN
INSTALLING

-ELECTRONIC LOCK WITH MORTISE LOCK
-CERRADURA ELECTRONICA CON CERRADURA DE EMBUTIR
-SERRURE ELECTRONIQUE AVEC SERRURE A LARDER



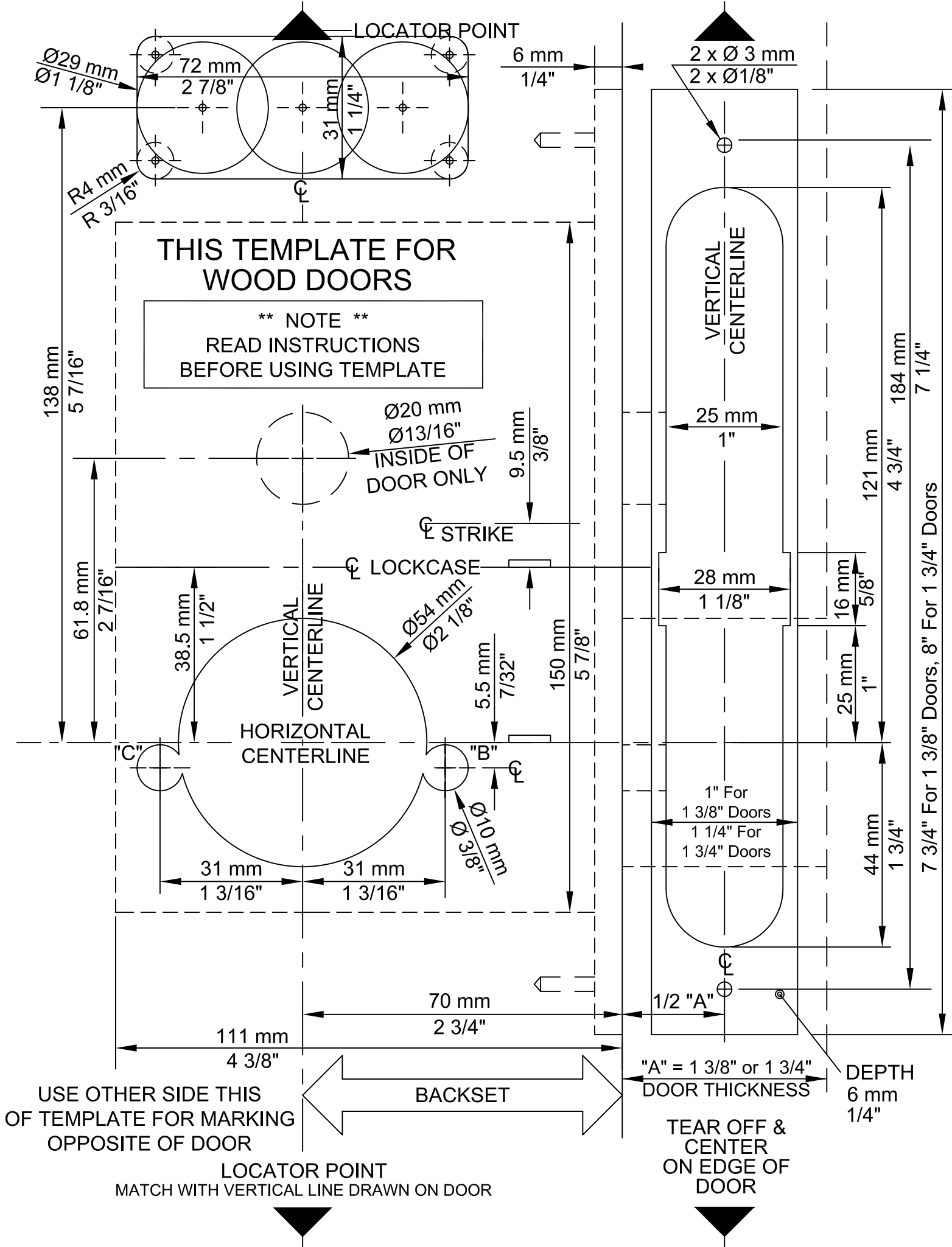
| | | | | | |
|--|----------------|---------|---------|--------------|---|
| REL: A | DATE: 10/19/06 | REV: RH | BY: CHK | APPROV: APYD | INITIAL RELEASE |
| INFORMATION ON THIS DRAWING IS THE SOLE PROPERTY OF OMITY, INC. DO NOT COPY OR DISTRIBUTE WITHOUT PERMISSION FROM OMITY, INC. | | | | | REVISION DESCRIPTION OMITY, INC. 2100 A NANCY HANKS DRIVE NORCROSS, GA 30071 PH: 1-800-749-2983 |
| INTEREST PER ANSIS X.1 DO NOT SCALE DRAWING DIMENSIONS INSIDE BRACKETS | | | | | TITLE: ADVANCE - ANSI LOCK ASSEMBLY INSTRUCTIONS |
| TOLERANCES IN INCHES SHALL BE XXX: ± .01" XX: ± .015" X: ± .005" ANGLES: ± 1° | | | | | DWG. NO.: DATE: 08/17/06 CHK: ENGR: SHEET 1 OF 1 SCALE: DWG. SIZE: B |



T10 x 8 mm



T10 x 12 mm



THIS TEMPLATE FOR WOOD DOORS

**** NOTE ****
 READ INSTRUCTIONS
 BEFORE USING TEMPLATE

USE OTHER SIDE THIS
 OF TEMPLATE FOR MARKING
 OPPOSITE OF DOOR

LOCATOR POINT
 MATCH WITH VERTICAL LINE DRAWN ON DOOR

BACKSET

"A" = 1 3/8" or 1 3/4"
 DOOR THICKNESS
 DEPTH
 6 mm
 1/4"

TEAR OFF &
 CENTER
 ON EDGE OF
 DOOR

7 3/4" For 1 3/8" Doors, 8" For 1 3/4" Doors

VERTICAL
 CENTERLINE

HORIZONTAL
 CENTERLINE

VERTICAL
 CENTERLINE

LOCATOR POINT

STRIKE

LOCKCASE

Ø20 mm
 Ø13/16"
 INSIDE OF
 DOOR ONLY

Ø54 mm
 Ø2 1/8"

Ø10 mm
 Ø 3/8"

Ø29 mm
 Ø1 1/8"
 R4 mm
 R 3/16"

2 x Ø 3 mm
 2 x Ø1/8"

6 mm
 1/4"

184 mm
 7 1/4"

121 mm
 4 3/4"

25 mm
 1"

28 mm
 1 1/8"

16 mm
 5/8"

25 mm
 1"

44 mm
 1 3/4"

1" For
 1 3/8" Doors
 1 1/4" For
 1 3/4" Doors

1/2 "A"

138 mm
 5 7/16"

61.8 mm
 2 7/16"

38.5 mm
 1 1/2"

31 mm
 1 3/16"

31 mm
 1 3/16"

5.5 mm
 7/32"

150 mm
 5 7/8"

70 mm
 2 3/4"

111 mm
 4 3/8"

31 mm
 1 1/4"

6 mm
 1/4"

184 mm
 7 1/4"

121 mm
 4 3/4"

25 mm
 1"

28 mm
 1 1/8"

16 mm
 5/8"

25 mm
 1"

44 mm
 1 3/4"

1" For
 1 3/8" Doors
 1 1/4" For
 1 3/4" Doors

1/2 "A"

138 mm
 5 7/16"

61.8 mm
 2 7/16"

38.5 mm
 1 1/2"

31 mm
 1 3/16"

31 mm
 1 3/16"

5.5 mm
 7/32"

150 mm
 5 7/8"

70 mm
 2 3/4"

111 mm
 4 3/8"

31 mm
 1 1/4"

6 mm
 1/4"

184 mm
 7 1/4"

121 mm
 4 3/4"

25 mm
 1"

28 mm
 1 1/8"

16 mm
 5/8"

25 mm
 1"

44 mm
 1 3/4"

1" For
 1 3/8" Doors
 1 1/4" For
 1 3/4" Doors

1/2 "A"

138 mm
 5 7/16"

61.8 mm
 2 7/16"

38.5 mm
 1 1/2"

31 mm
 1 3/16"

31 mm
 1 3/16"

5.5 mm
 7/32"

150 mm
 5 7/8"

70 mm
 2 3/4"

111 mm
 4 3/8"

31 mm
 1 1/4"

6 mm
 1/4"

184 mm
 7 1/4"

121 mm
 4 3/4"

25 mm
 1"

28 mm
 1 1/8"

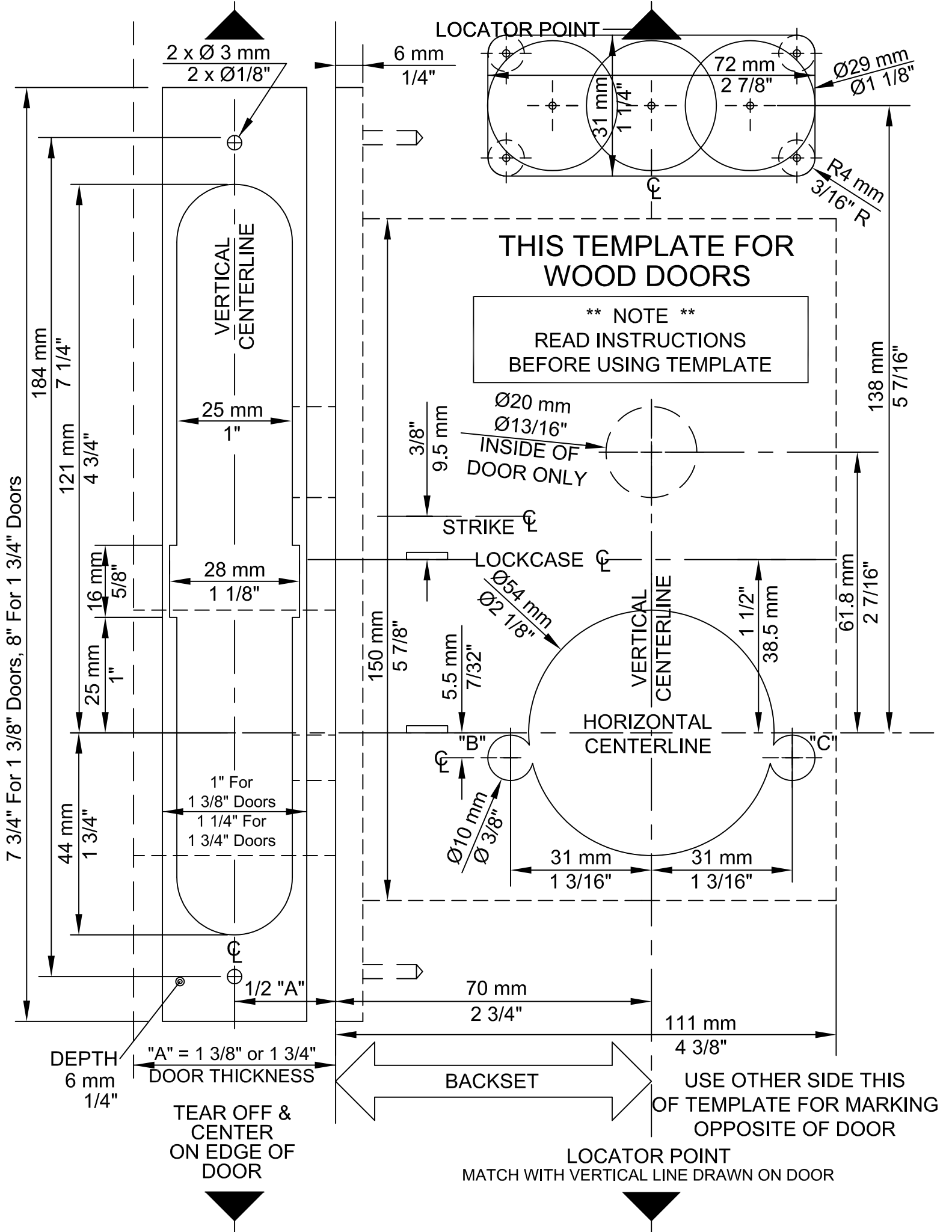
16 mm
 5/8"

25 mm
 1"

44 mm
 1 3/4"

1" For
 1 3/8" Doors
 1 1/4" For
 1 3/4" Doors

1/2 "A"



7 3/4" For 1 3/8" Doors, 8" For 1 3/4" Doors

184 mm

7 1/4" 121 mm 4 3/4"

16 mm 5/8" 25 mm 1"

44 mm 1 3/4"

2 x Ø 3 mm 2 x Ø 1/8"

VERTICAL CENTERLINE

25 mm 1"

28 mm 1 1/8"

1" For 1 3/8" Doors 1 1/4" For 1 3/4" Doors

1/2 "A"

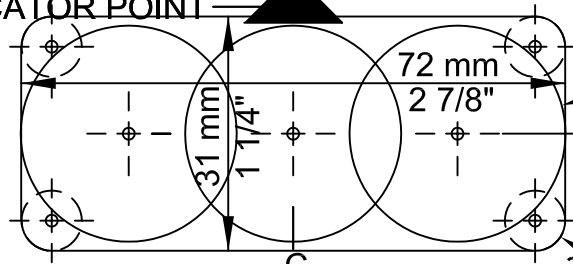
DEPTH 6 mm 1/4"

"A" = 1 3/8" or 1 3/4" DOOR THICKNESS

TEAR OFF & CENTER ON EDGE OF DOOR

LOCATOR POINT

6 mm 1/4"



Ø 29 mm Ø 1 1/8"

R4 mm 3/16" R

THIS TEMPLATE FOR WOOD DOORS

** NOTE **
READ INSTRUCTIONS
BEFORE USING TEMPLATE

138 mm 5 7/16"

Ø 20 mm Ø 13/16" INSIDE OF DOOR ONLY

3/8" 9.5 mm

STRIKE C

LOCKCASE C

Ø 54 mm Ø 2 1/8"

VERTICAL CENTERLINE

1 1/2" 38.5 mm

61.8 mm 2 7/16"

150 mm 5 7/8"

5.5 mm 7/32"

"B"

HORIZONTAL CENTERLINE

Ø 10 mm Ø 3/8"

31 mm 1 3/16"

31 mm 1 3/16"

70 mm 2 3/4"

111 mm 4 3/8"

BACKSET

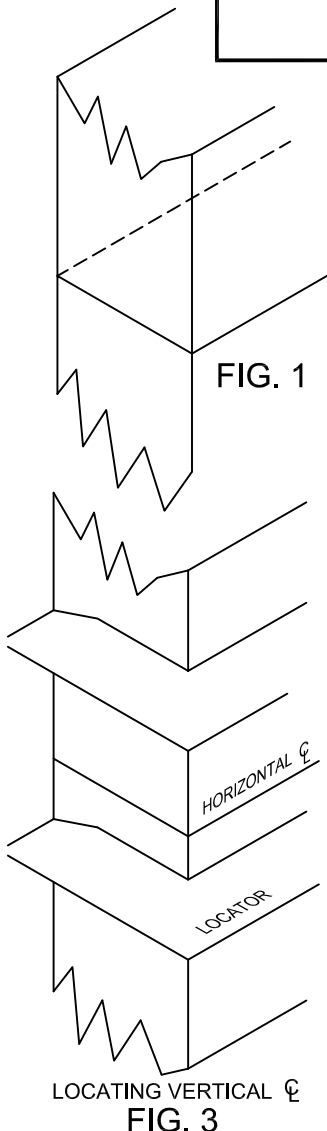
USE OTHER SIDE THIS OF TEMPLATE FOR MARKING OPPOSITE OF DOOR

LOCATOR POINT

MATCH WITH VERTICAL LINE DRAWN ON DOOR

INSTRUCTIONS FOR PREPARING DOOR AND FRAME FOR INSTALLATION OF **Onity** MORTISE LOCKS

READ THESE INSTRUCTIONS CAREFULLY BEFORE INSTALLING LOCKSET



1

DRAW A HORIZONTAL CENTERLINE ON BOTH SIDES AND EDGE OF DOOR AT THE DESIRED KNOB CENTER HEIGHT (FIG.1)

NOTE:

IF FRAME HAS ALREADY BEEN PREPARED FOR A STRIKE, INSTALL STRIKE AND USE STRIKE LIP AS A REFERENCE TO LOCATE THE HORIZONTAL CENTERLINE POSITION. MARK DOOR 3/16" (5 mm) BELOW BOTTOM OF STRIKE LIP AS ILLUSTRATED IN FIG.2 AND DRAW HORIZONTAL CENTERLINES ON DOOR AT THIS POSITIONS AS ILLUSTRATED IN FIG.1.

FIG. 1

2

MARK TWO BACKSET POINTS ON EACH SIDE OF DOOR, ABOVE AND BELOW THE HORIZONTAL CENTERLINE (FIG.3), DRAW A VERTICAL LINE THROUGH THE TWO POINTS ON EACH SIDE OF DOOR.

3

DETACH TEMPLATE AND SEPARATE INTO TWO PARTS. POSITION CORRECT SIDE OF TEMPLATE ON OUTSIDE FACE OF DOOR, ALIGNING LOCATOR POINTS WITH HORIZONTAL AND VERTICAL LINES DRAWN ON DOOR AS ILLUSTRATED IN FIG.4.

4

USING THE OPPOSITE SIDE OF THE TEMPLATE, POSITION ON INSIDE FACE OF DOOR ALIGNING LOCATOR POINTS WITH HORIZONTAL AND VERTICAL LINES DRAWN ON DOOR AND SPOT REQUIRED HOLES.

5

CENTER THE DOOR EDGE PORTION OF THE TEMPLATE ON DOOR EDGE AND ALIGN THE HORIZONTAL LOCATOR POINTS WITH HORIZONTAL LINES DRAWN ON DOOR. MARK OUTLINE OF LATCH AND FACE PLATE TOP REFERENCE AS ILLUSTRATED IN FIG.5.

6

FOR WOOD DOORS

BORE DOOR EDGE FOR LATCH TO DIMENSIONS SHOWN ON TEMPLATE. INSERT LATCH, (WITH FACE PLATE), ALIGN TOP OF FACE PLATE WITH REFERENCE MARK AND SCRIBE FACE PLATE OUTLINE AS ILLUSTRATED IN FIG.6. MORTISE TO FRONT THICKNESS.

7

DRILL REQUIRED SIDE HOLES THROUGH OUTSIDE AND INSIDE FACES OF THE DOOR. T-TURN HOLE IS ON INSIDE OF DOOR ONLY. DRILL THE "B" HOLE FOR NEW INSTALLATIONS. DRILL THE "C" HOLE ONLY FOR RETROFIT INSTALLATIONS USING THE EXISTING MORTISE LOCK CASE MANUFACTURED PRIOR TO 2007. DRILL 'B' OR 'C' BEFORE DRILLING THE 2 1/8" HOLE. CUT THE READER HOLE BY DRILLING THE 4 CORNERS FIRST. REMOVE THE BULK OF THE DOOR MATERIAL BY DRILLING 3 OVERLAPPING 1 1/8" DIAMETER HOLES AT THE POINTS INDICATED. REMOVE THE REMAINING MATERIAL UP TO THE LINE BY A TOOL SUITED TO THE TASK. (File, Rasp, Grinder, etc).

LOCATING VERTICAL ϕ
FIG. 3

8

STRIKE PREPARATION. DRAW A VERTICAL CENTERLINE ON THE FRAME ONE-HALF DOOR THICKNESS FROM STOP PLUS ANY REQUIRED ALLOWANCE FOR PAINT, WEATHERSTRIPPING, ETC... POSITION STRIKE ON FRAME, ALIGNING LIP WITH REFERENCE MARKS DRAWN IN FRAME AND CENTER MOUNTING HOLES ON VERTICAL LINE DRAWN ON FRAME, SCRIBE STRIKE OUTLINE. MORTISE TO THICKNESS 3/32" DEEP (2.5 mm). MARK LOCATION OF STRIKE OPENINGS OR STRIKE BOX, IF REQUIRED. MORTISE TO SUFFICIENT DEPTH TO ACCOMMODATE BOLTS OR STRIKE BOX.

9

DRILL 1/8" (3 mm) DIAM. PILOT HOLES FOR LATCH ATTACHMENT SCREWS. ADJUST FRONT BEVEL AS REQUIRED BY LOOSENING SCREWS AT TOP AND BOTTOM OF LATCH, SET BEVEL AND SECURELY RE-TIGHTEN SCREWS. INSTALL LOCK LATCH.

10

ATTACH TRIM. REFER TO THE ENCLOSED TRIM ATTACHMENT INSTRUCTION SHEET FOR THE NUMBERED SEQUENCE OF ASSEMBLY STEPS. FOR NEW INSTALLATIONS THE CLUTCH WIRE IS ROUTED THROUGH THE "B" HOLE AND THROUGH THE CORRESPONDING HOLE IN THE MORTISE LOCK. FOR RETROFIT INSTALLATIONS USING A MORTISE LOCKSET WITHOUT THE WIRE HOLE, ROUTE THE WIRE THROUGH THE "C" HOLE AND AROUND THE BACK OF THE MORTISE LOCK. USE THE PLASTIC BRACKET TO POSITION THE WIRE OPPOSITE THE "B" OR "C" HOLE DEPENDING ON THE HAND OF THE DOOR.

11

INSTALL STRIKE AND STRIKE BOX IF REQUIRED. CHECK TO BE SURE THAT BOLTS FULLY PROJECT INTO STRIKE OPENINGS.

FIG. 5

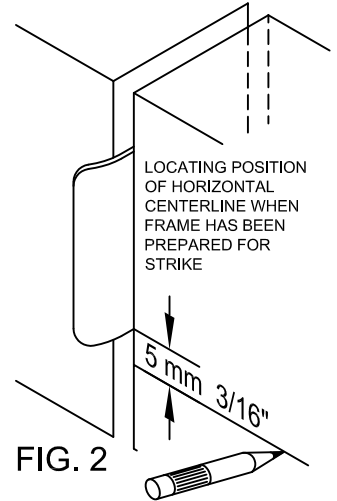


FIG. 2

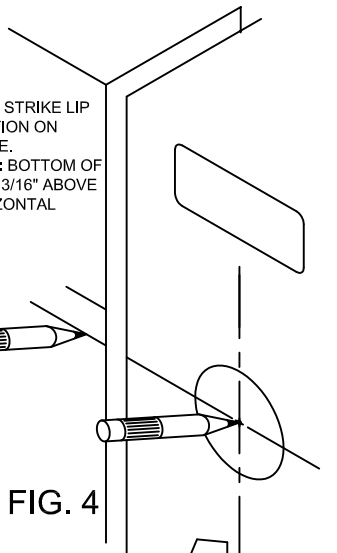


FIG. 4

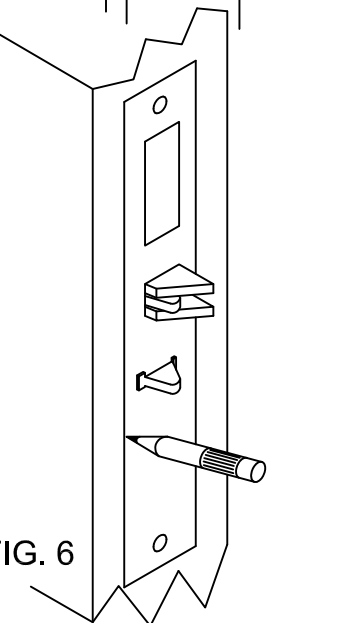


FIG. 6