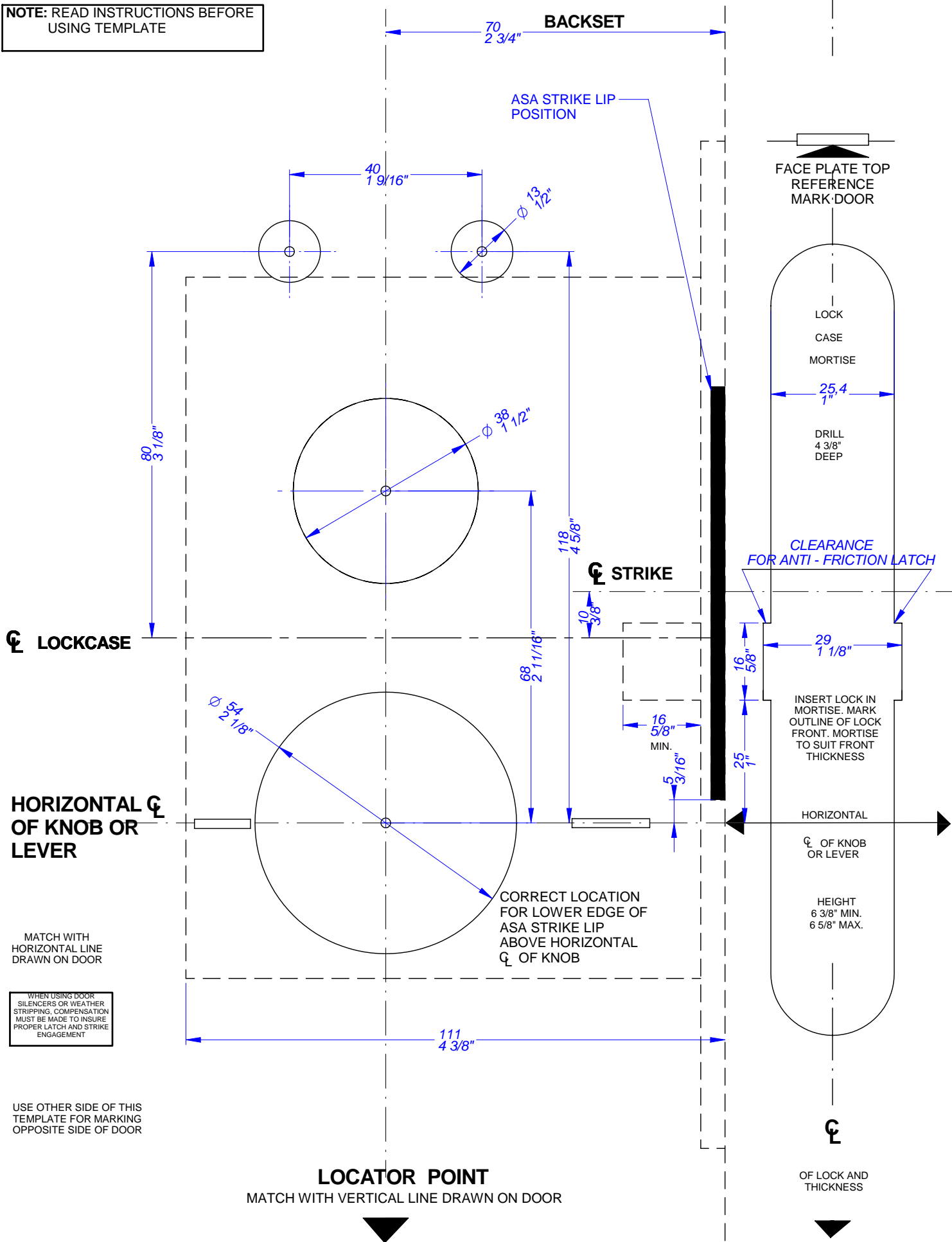


LOCATOR POINT
MATCH WITH VERTICAL LINE DRAWN ON DOOR

TEAR - OFF & CENTER
ON DOOR EDGE

**NOTE: READ INSTRUCTIONS BEFORE
USING TEMPLATE**



MATCH WITH
HORIZONTAL LINE
DRAWN ON DOOR

WHEN USING DOOR
SILENCERS OR WEATHER
STRIPPING, COMPENSATION
MUST BE MADE TO INSURE
PROPER LATCH AND STRIKE
ENGAGEMENT

USE OTHER SIDE OF THIS
TEMPLATE FOR MARKING
OPPOSITE SIDE OF DOOR

TEAR - OFF & CENTER
ON DOOR EDGE

LOCATOR POINT

MATCH WITH VERTICAL LINE DRAWN ON DOOR

**NOTE: READ INSTRUCTIONS BEFORE
USING TEMPLATE**

70
2 3/4" **BACKSET**

FACE PLATE TOP
REFERENCE
MARK DOOR

ASA STRIKE LIP
POSITION

40
1 9/16"

Ø 13
1/2"

LOCK
CASE
MORTISE

25,4
1"

DRILL
4 3/8"
DEEP

CLEARANCE
FOR ANTI - FRICTION LATCH

⊕ STRIKE

⊕ LOCKCASE

29
1 1/8"

16
5/8"

10
3/8"

INSERT LOCK IN
MORTISE. MARK
OUTLINE OF LOCK
FRONT. MORTISE
TO SUIT FRONT
THICKNESS

25
1"

16
5/8"
MIN.

5
3/16"

68
2 11/16"

118
4 5/8"

HORIZONTAL
⊕ OF KNOB
OR LEVER

HORIZONTAL ⊕
OF KNOB OR
LEVER

HEIGHT
6 3/8" MIN.
6 5/8" MAX.

CORRECT LOCATION
FOR LOWER EDGE OF
ASA STRIKE LIP
ABOVE HORIZONTAL
⊕ OF KNOB

MATCH WITH
HORIZONTAL LINE
DRAWN ON DOOR

WHEN USING DOOR
SILENCERS OR WEATHER
STRIPPING, COMPENSATION
MUST BE MADE TO INSURE
PROPER LATCH AND STRIKE
ENGAGEMENT

111
4 3/8"

USE OTHER SIDE OF THIS
TEMPLATE FOR MARKING
OPPOSITE SIDE OF DOOR

⊕

OF LOCK AND
THICKNESS

LOCATOR POINT

MATCH WITH VERTICAL LINE DRAWN ON DOOR

INSTRUCTIONS FOR PREPARING DOOR AND FRAME AND INSTALLATION OF **Unity** HT/CT MORTISE LOCKS

READ THESE INSTRUCTIONS CAREFULLY BEFORE INSTALLING LOCKSET

1 DRAW A HORIZONTAL CENTERLINE ON BOTH SIDERS AND EDGE OF DOOR AT THE DESIRED KNOB CENTER HEIGHT (FIG.1)

NOTE: IF FRAME HAS ALREADY BEEN PREPARED FOR A **Unity** STRIKE, INSTALL STRIKE AND USE STRIKE LIP AS A REFERENCE TO LOCATE THE HORIZONTAL CENTERLINE POSITION. MARK DOOR 3/16" BELOW BOTTOM OF STRIKE LIP AS ILLUSTRATED IN FIG.2 AND DRAW HORIZONTAL CENTERLINES ON DOOR AT THIS POSITIONS AS ILLUSTRATED IN FIG.1

2 USING THE BACKSET LOCATOR FURNISHED, MARK TWO POINTS ON EACH SIDE OF DOOR, ABOVE AND BELOW THE HORIZONTAL CENTERLINE (FIG.3). DRAW A VERTICAL LINE THROUGH THE TWO POINTS ON EACH SIDE OF DOOR

3 DETACH TEMPLATE AND SEPARATE INTO TWO PARTS. POSITION CORRECT SIDE OF TEMPLATE ON OUTSIDE FACE OF DOOR, ALIGNING LOCATOR POINTS WITH HORIZONTAL AND VERTICAL LINES DRAWN ON DOOR AS ILLUSTRATED IN FIG.4

4 USING THE OPPOSITE SIDE OF THE TEMPLATE, POSITION ON INSIDE FACE OF DOOR ALIGNING LOCATOR POINTS WITH HORIZONTAL AND VERTICAL LINES DRAWN ON DOOR AND SPOT REQUIRED HOLES.

5 CENTER THE DOOR EDGE PORTION OF THE TEMPLATE ON DOOR EDGE AND ALIGN THE HORIZONTAL LOCATOR POINTS WITH HORIZONTAL LINES DRAWN ON DOOR. MARK OUTLINE OF CASE MORTISE AND FACE PLATE TOP REFERENCE AS ILLUSTRATED IN FIG.5

6 MORTISE DOOR EDGE FOR LOCK CASE TO DIMENSIONS SHOWN ON TEMPLATE. INSERT LOCK IN MORTISE, (WITH FACE PLATE), ALIGN TOP OF FACE PLATE WITH REFERENCE MARK AND SCRIBE FACE PLATE OUTLINE AS ILLUSTRATED IN FIG.6. MORTISE TO FRONT THICKNESS

7 DRILL REQUIRED SIDE HOLES THROUGH OUTSIDE AND INSIDE FACES OF DOOR

8 STRIKE PREPARATION. DRAW A VERTICAL CENTERLINE ON THE FRAME ONE-HALF DOOR THICKNESS FROM STOP PLUS ANY REQUIRED ALLOWANCE FOR PAINT, WEATHERSTRIPPING, ETC... POSITION STRIKE ON FRAME, ALIGNING LIP WITH REFERENCE MARKS DRAWN IN FRAME AND CENTER MOUNTING HOLES ON VERTICAL LINE DRAWN ON FRAME, SCRIBE STRIKE OUTLINE. MORTISE TO THICKNESS (3/32" DEEP). MARK LOCATION OF STRIKE OPENINGS OR STRIKE BOX. IF REQUIRED. MORTISE TO SUFFICIENT DEPTH TO ACCOMMODATE BOLTS OR STRIKE BOX

9 DRILL 1/8" DIAM. PILOT HOLES FOR CASE ATTACHMENT SCREWS. ADJUST FRONT BEVEL AS REQUIRED BY LOOSENING SCREWS AT TOP AND BOTTOM OF CASE, SET BEVEL AND SECURELY RE-TIGHTEN SCREWS. INSTALL LOCK CASE.

10 ATTACH TRIM. REFER TO ENCLOSED TRIM ATTACHMENT INSTRUCTION SHEET FOR PROPER INSTALLATION OF LEVER HANDLE, OR KNOB, AND ELECTRONIC LOCK TRIM. ATTACH FACE PLATE TO LOCK FRONT.

11 INSTALL STRIKE AND STRIKE BOX IF REQUIRED. CHECK TO BE SURE THAT BOLTS FULLY PROJECT INTO STRIKE OPENINGS

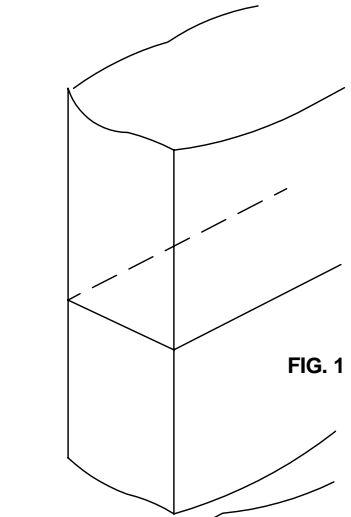
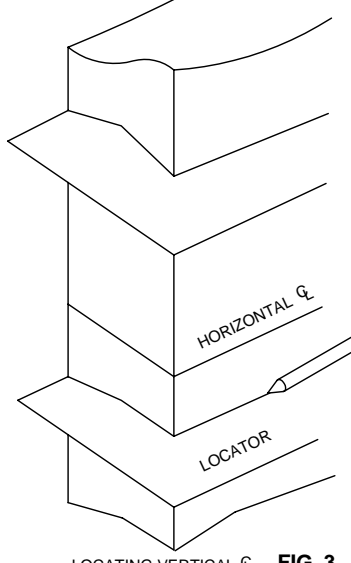
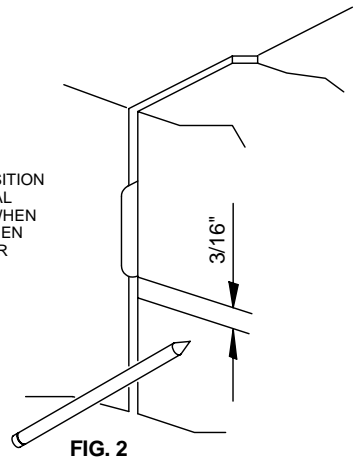


FIG. 1

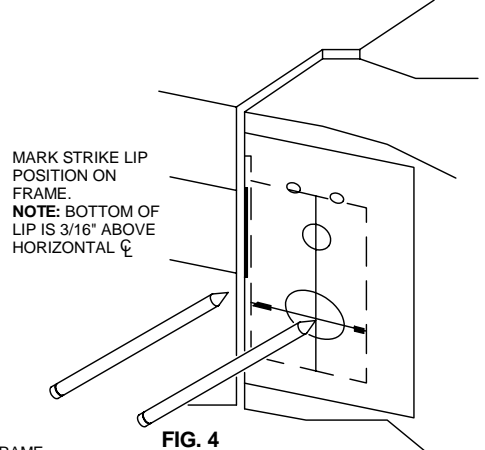


LOCATING VERTICAL ϕ FIG. 3



LOCATING POSITION OF HORIZONTAL CENTERLINE WHEN FRAME HAS BEEN PREPARED FOR STRIKE

FIG. 2



MARK STRIKE LIP POSITION ON FRAME. **NOTE:** BOTTOM OF LIP IS 3/16" ABOVE HORIZONTAL ϕ

FIG. 4

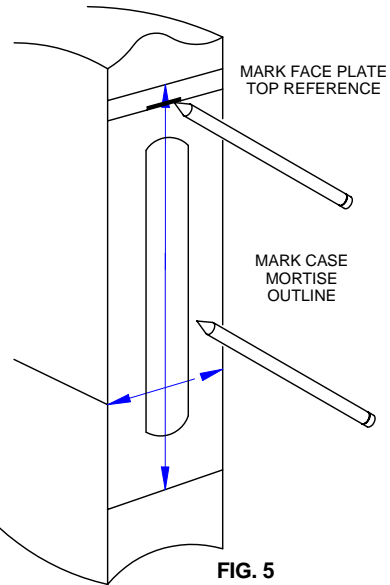


FIG. 5

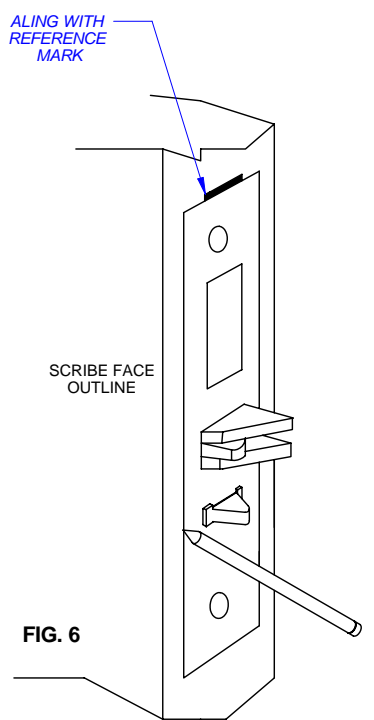


FIG. 6

**INSTALACIÓN
INSTALLING
INSTALLATION**



HT-24/28+ANSI
 -CERRADURA ELECTRÓNICA CON CERRADURA DE EMBUTIR
 -ELECTRONIC LOCK WITH MORTISE LOCK
 -SERRURE ELECTRONIQUE AVEC SERRURE A LARDER

