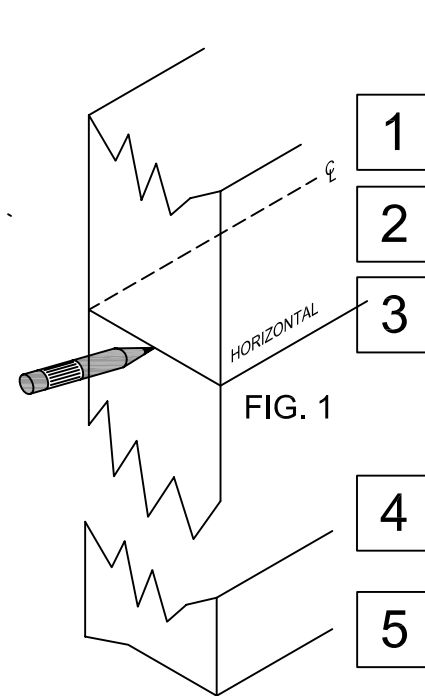
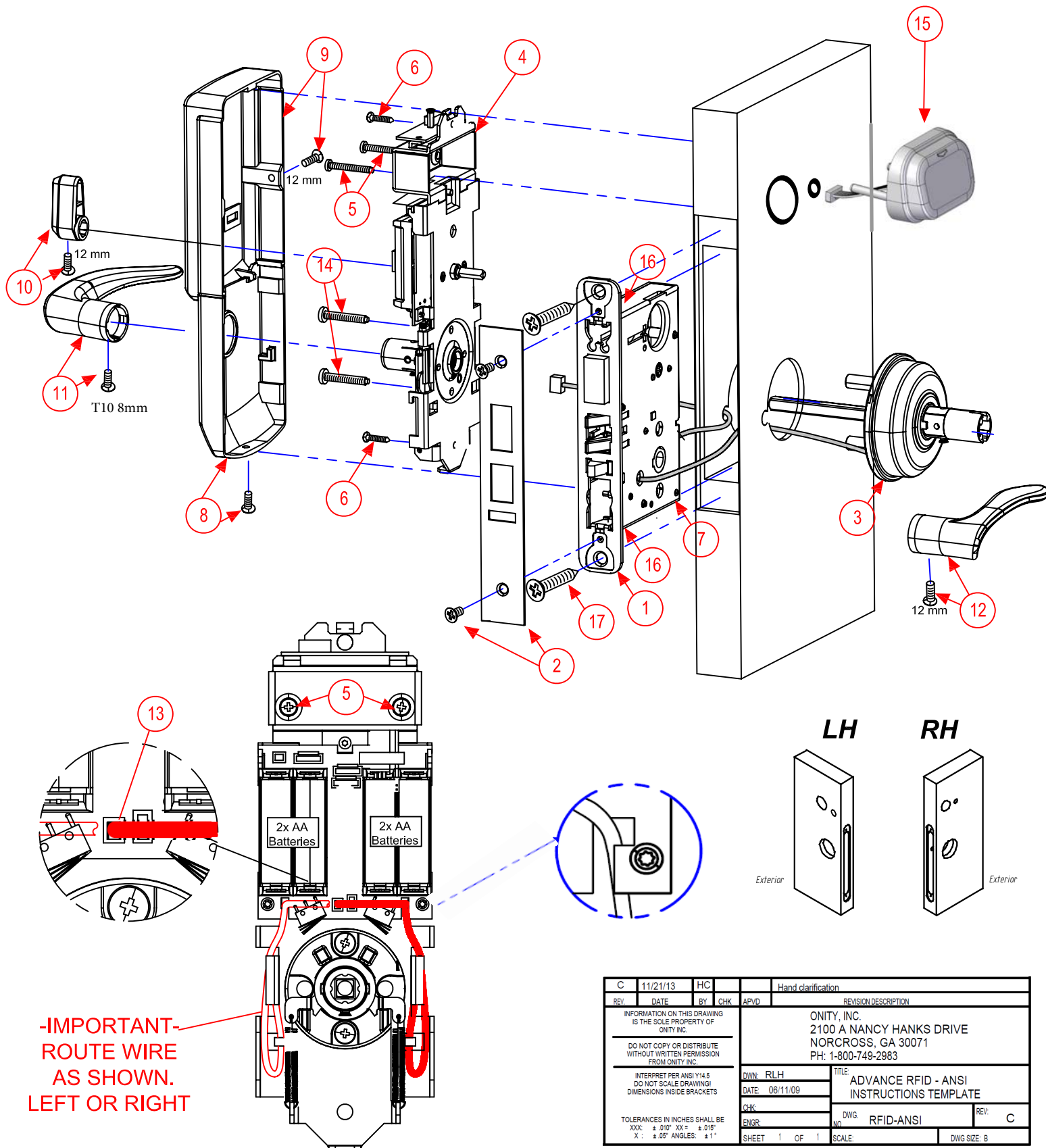


-ELECTRONIC LOCK WITH MORTISE LOCK  
-CERRADURA ELECTRONICA CON CERRADURA DE EMBUTIR  
-SERRURE ELECTRONIQUE AVEC SERRURE A LARDER

INSTALLATION  
INSTALACIÓN  
INSTALLING

INSTRUCTIONS FOR PREPARING DOOR AND FRAME FOR  
INSTALLATION OF **Onity** MORTISE LOCKS

READ THESE INSTRUCTIONS CAREFULLY  
BEFORE INSTALLING LOCKSET



- 1
- 2
- 3
- 4
- 5

1 DRAW A HORIZONTAL CENTERLINE ON BOTH SIDES AND EDGE OF DOOR AT THE DESIRED KNOB CENTER HEIGHT (FIG.1)

2 MARK TWO BACKSET POINTS ON EACH SIDE OF DOOR, ABOVE AND BELOW THE HORIZONTAL CENTERLINE (FIG.2). DRAW A VERTICAL LINE THROUGH THE TWO POINTS ON EACH SIDE OF DOOR.

3 FOLD TEMPLATE AT FOLD LINES AND WRAP OVER EDGE OF DOOR. ALIGN LOCATOR POINTS WITH HORIZONTAL AND VERTICAL LINES DRAWN ON DOOR AS ILLUSTRATED IN FIG.2.

NOTE:  
FOR 1 3/8" THICKNESS DOORS MODIFY TEMPLATE TO INSURE BACKSET AND DOOR EDGE LINES ARE IN THE CORRECT POSITION.

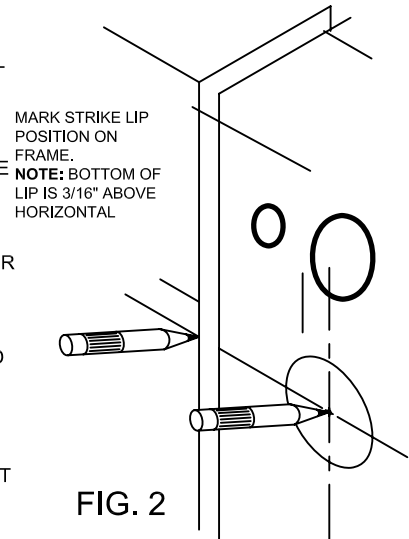
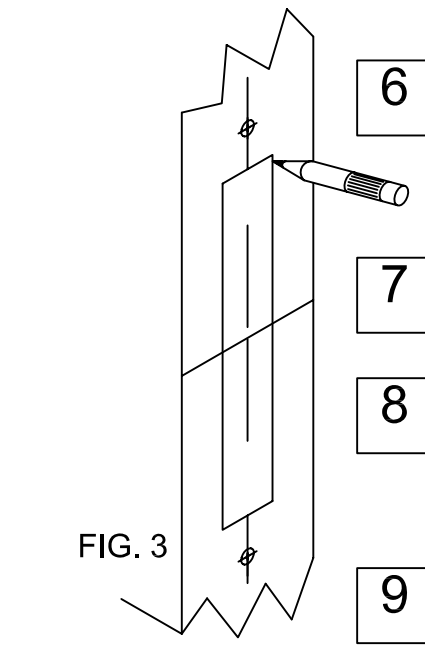


FIG. 2

4 MORTISE DOOR EDGE FOR LOCKCASE TO DIMENSIONS SHOWN ON TEMPLATE. ALIGN TOP OF FACE PLATE WITH REFERENCE MARK "D" AND SCRIBE FACE PLATE OUTLINE AS ILLUSTRATED IN FIG-4. MORTISE TO FRONT THICKNESS. (1/4")

5 DRILLING REQUIRED HOLES:  
A- DRILL T-TURN HOLE IS ON INSIDE OF DOOR ONLY.  
B- DRILL "B OR C" BEFORE DRILLING THE 2 1/8" HOLE.  
C- DRILL REQUIRED SIDE HOLES THROUGH OUTSIDE AND INSIDE FACES OF THE DOOR.  
D- DRILL THE "B" HOLE FOR NEW INSTALLATIONS. DRILL THE "C" HOLE ONLY FOR RETROFIT INSTALLATIONS USING THE EXISTING MORTISE LOCK CASE MANUFACTURED PRIOR TO 2007.  
E- DRILL THE READER HOLES AS FOLLOWS:  
FOR LEFT HANDED DOORS DRILL 1 1/8" AND 3/8" HOLES MARKED LH (1 1/8" HOLE IS HINGE SIDE)  
FOR RIGHT HANDED DOORS DRILL 1 1/8" AND 3/8" HOLES MARKED RH (1 1/8" HOLE IS HINGE SIDE)



- 6
- 7
- 8
- 9

6 STRIKE PREPARATION. DRAW A VERTICAL CENTERLINE ON THE FRAME ONE-HALF DOOR THICKNESS FROM STOP PLUS ANY REQUIRED ALLOWANCE FOR PAINT, WEATHERSTRIPPING, ETC... SEE FIG. 3

7 POSITION STRIKE ON FRAME, ALIGNING LIP WITH REFERENCE MARKS DRAWN IN FRAME AND CENTER MOUNTING HOLES ON VERTICAL LINE DRAWN ON FRAME, SCRIBE STRIKE OUTLINE. MORTISE TO THICKNESS 3/32" DEEP (2.5 mm). MARK LOCATION OF STRIKE OPENINGS OR STRIKE BOX, IF REQUIRED. MORTISE TO SUFFICIENT DEPTH TO ACCOMMODATE BOLTS OR STRIKE BOX.

8 USING VIX TPYE PILOT BIT, DRILL 1/8" (3 mm) DIAM. PILOT HOLES FOR LATCH ATTACHMENT SCREWS. ADJUST FRONT BEVEL AS REQUIRED BY LOOSENING SCREWS AT TOP AND BOTTOM OF LATCH, SET BEVEL AND SECURELY RE-TIGHTEN SCREWS. INSTALL LOCK LATCH.

9 ATTACH TRIM ACCORDING TO DIAGRAM TO LEFT. FOR NEW INSTALLATIONS THE CLUTCH WIRE IS ROUTED THROUGH THE "B" HOLE AND THROUGH THE CORRESPONDING HOLE IN THE MORTISE LOCK. FOR RETROFIT INSTALLATIONS USING A MORTISE LOCKSET WITHOUT THE WIRE HOLE, ROUTE THE WIRE THROUGH THE "C" HOLE AND AROUND THE BACK OF THE MORTISE LOCK. USE THE PLASTIC BRACKET TO POSITION THE WIRE OPPOSITE THE "B" OR "C" HOLE DEPENDING ON THE HAND OF THE DOOR.

INSTALL STRIKE AND DUST BOX IF REQUIRED. CHECK TO BE SURE THAT BOLTS FULLY PROJECT INTO STRIKE OPENINGS.

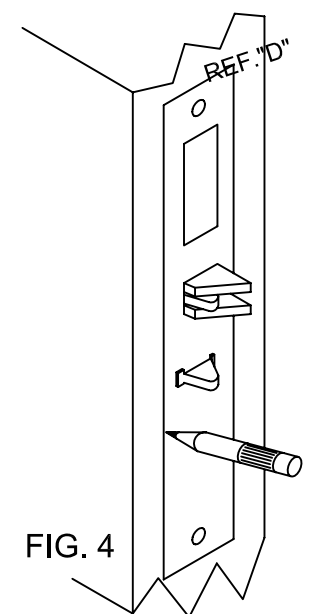
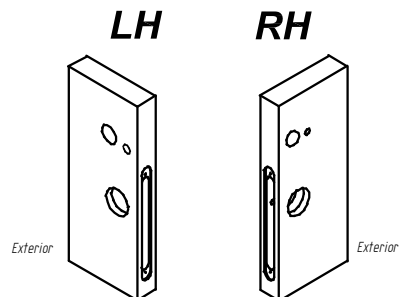
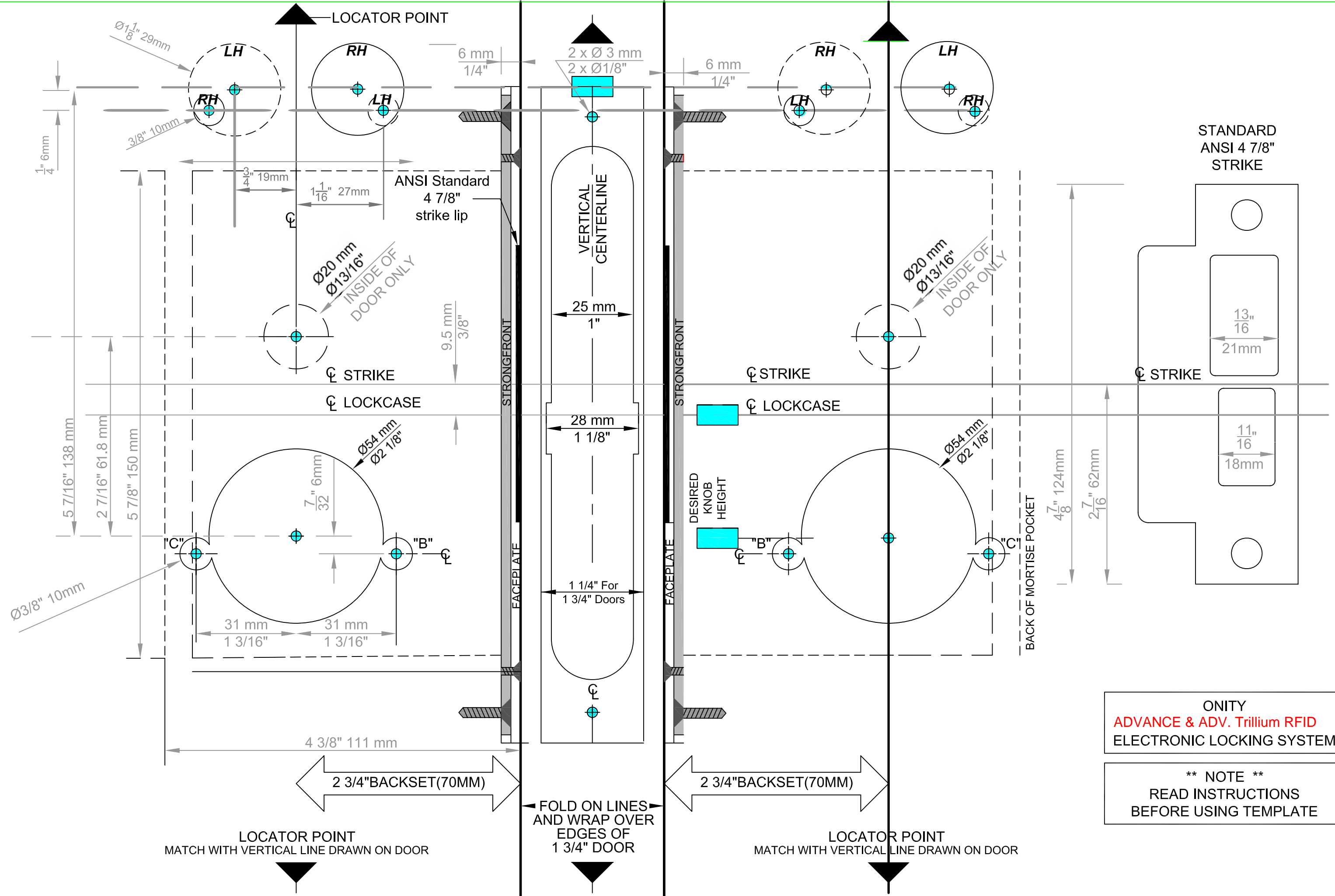


FIG. 4



C	11/21/13	HC		Hand clarification
REV	DATE	BY	CHK	APVD
INFORMATION ON THIS DRAWING IS THE SOLE PROPERTY OF ONITY INC.				
DO NOT COPY OR DISTRIBUTE WITHOUT WRITTEN PERMISSION FROM ONITY INC.				
INTERPRET PER ANSI Y14.5 DO NOT SCALE DRAWING! DIMENSIONS INSIDE BRACKETS				
TOLERANCES IN INCHES SHALL BE XXX: ±.010" XX: ±.015" X: ±.05" ANGLES: ±1°				
ONITY, INC. 2100 A NANCY HANKS DRIVE NORCROSS, GA 30071 PH: 1-800-749-2983		TITLE ADVANCE RFID - ANSI INSTRUCTIONS TEMPLATE		
DWN: RLH	DATE: 06/11/09	DWG. RFID-ANSI		REV. C
CHK:		SCALE:		DWG SIZE: B
ENGR:		SHEET 1 OF 1		

-IMPORTANT-  
ROUTE WIRE  
AS SHOWN.  
LEFT OR RIGHT



ONITY  
 ADVANCE & ADV. Trillium RFID  
 ELECTRONIC LOCKING SYSTEM

\*\* NOTE \*\*  
 READ INSTRUCTIONS  
 BEFORE USING TEMPLATE